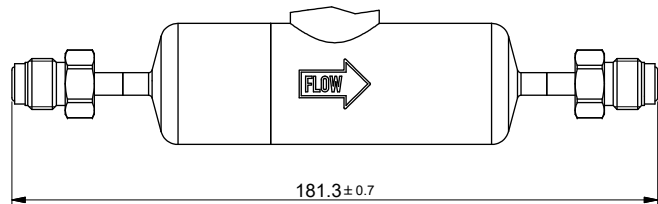
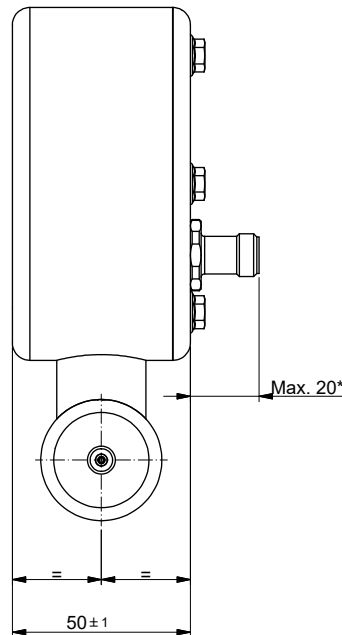
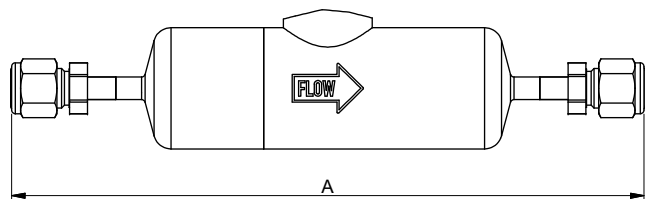


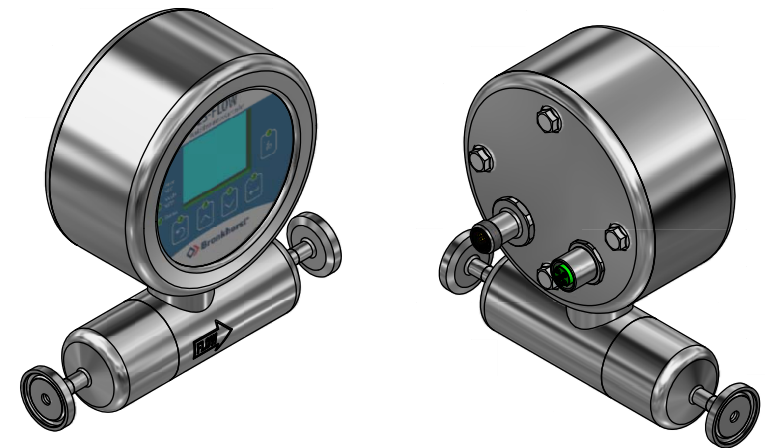
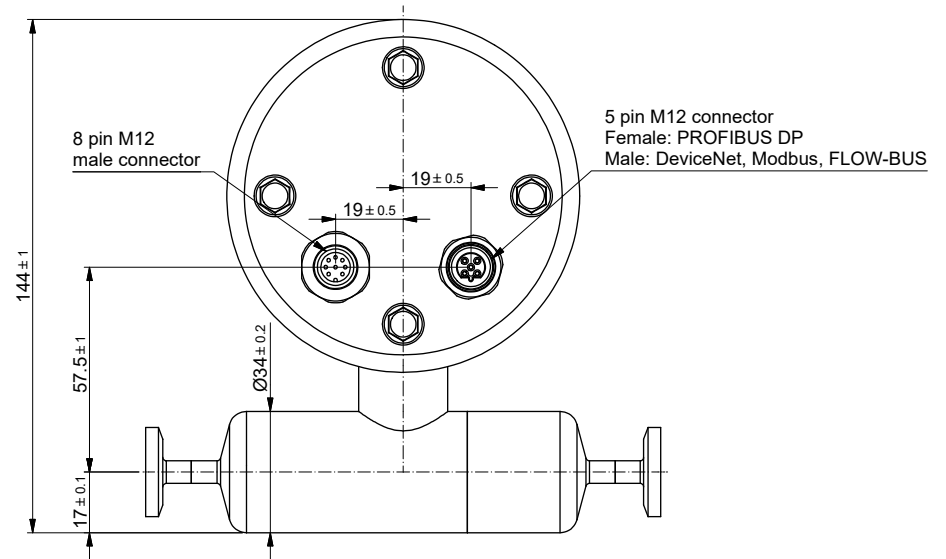
Dimension 1/4" tri-clamp adapter



Dimension 1/4" male face seal adapter





Dimension OD adapters



Type adapter	Dimension (A)
1/8" OD	176.2 mm
1/4" OD	177.8 mm
3mm OD	176.2 mm
6mm OD	177.8 mm
Dimension A is typical fingertight	

Dimensions subject to change without notice.
 * Please note that the dimension increases when a contra connector is used.

Title: Dimensional drawing ES-103I		Drawer : M.H.	Revision Description:	
 www.BRONKHORST.COM		Date: 25-07-2016	Drawing updated.	
		Checked : C.B.	Date: 20-06-2017	Rev. by: M.H.
Projection:  Third Angle Dimensions: Metric (mm)		Rev.: C	Page: 1-1	A3
Drawing no.: 7.15.194				